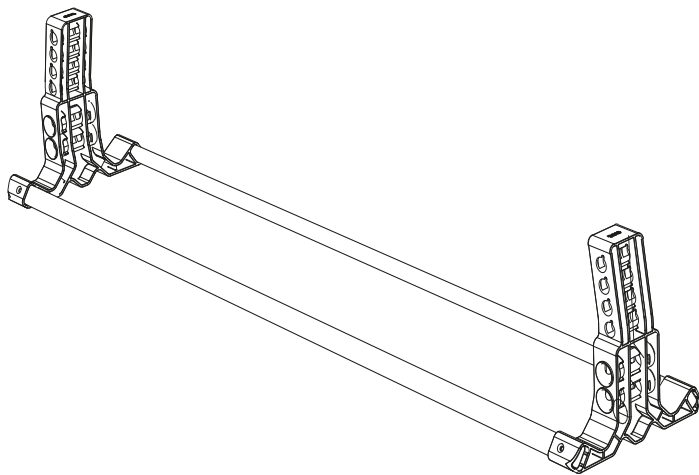


EVOC



INSTRUCTION MANUAL
FOR MOUNTING A BIKE ON YOUR
BIKE STAND PRO

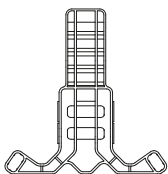
ENCLOSED



4x ALUMINIUM RAILS



2x HUBS



4x FRONT AXLE ADAPTERS:

2 x QR 5 mm



2 x Thru axle 12 mm



2 x Thru axle 15 mm



2 x Thru axle 20 mm

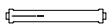


BOOST RING

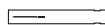


6x REAR AXLE ADAPTERS:

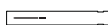
5 x 130mm



12 x 135 mm



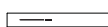
5 x 142mm



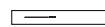
12 x 148 mm



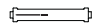
5 x 150mm



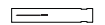
12 x 157mm



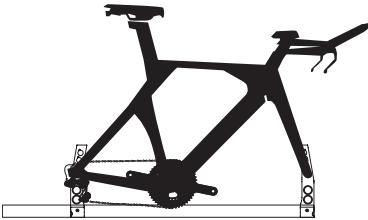
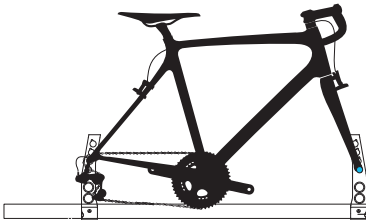
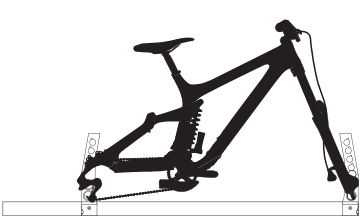
5 x 100mm



12 x 100mm

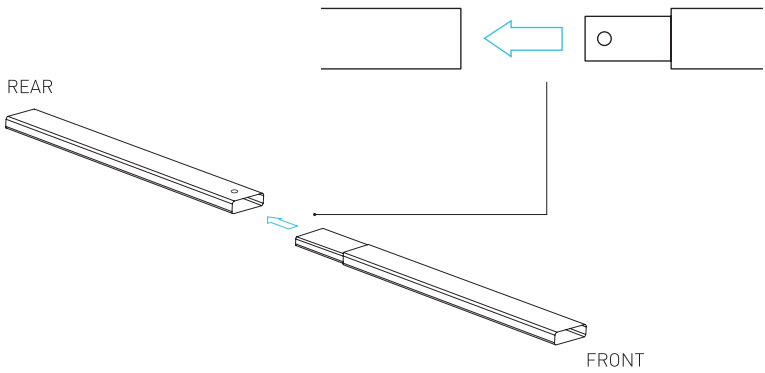


FITS MOST MTB, DH-, ROAD-, GRAVEL- AND TRIATHLON BIKEST

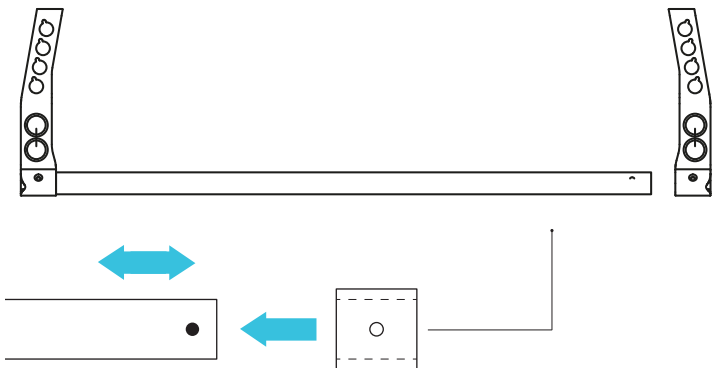


HOW TO ASSEMBLE YOUR BIKE STAND PRO

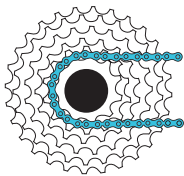
// 01



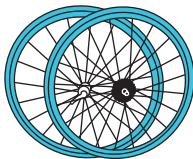
// 02



BIKE PREPARATION



Chain on smallest sprocket



Remove wheels
and axles/skewers

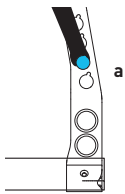
MOUNTING YOUR BIKE ON ROAD BIKE STAND

// 01

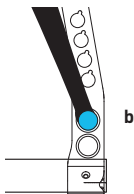


Place fork on front hub with correct front axle adapters. Tighten your front axle.

// 02

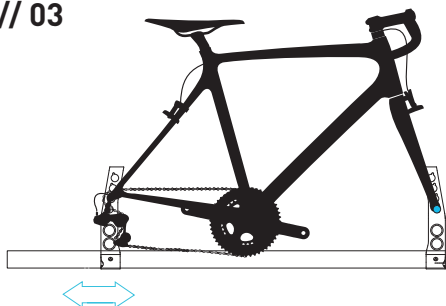


a) Top level



b) Low level

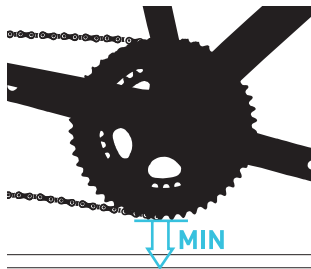
// 03



Adjust position of rear hub according to your wheel base.

Place rear drop-outs on rear hub with correct rear axle adapter. Tighten your rear axle.

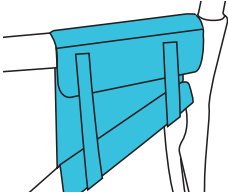
// 04



Always choose lowest possible level at rear hub according to chain wheel size.

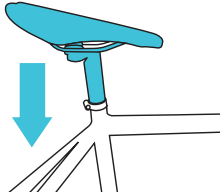
ADDITIONAL BIKE PREPARATION FOR USE IN EVOC BIKE TRAVEL BAGS

// 01



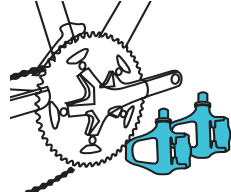
Add FRAME PAD

// 02



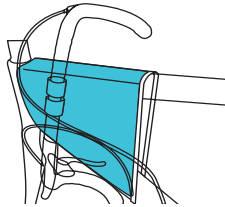
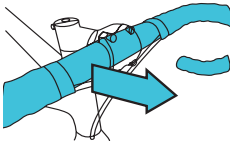
Lower your bicycle saddle

// 03

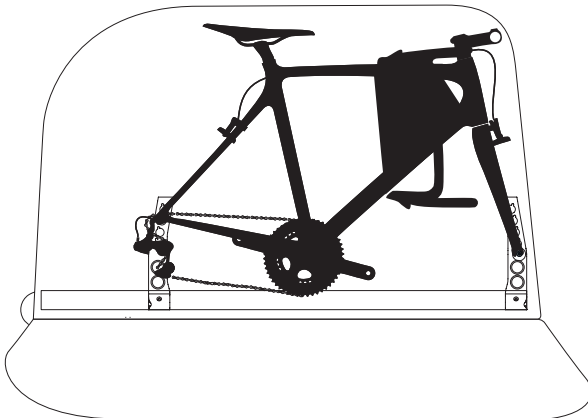


Remove both pedals

// 04



If necessary remove handle bar and fix it on FRAME PAD



WARRANTY AND AFTER SALES SERVICE



WARRANTY

<https://www.evocsports.com/service/warranty>